



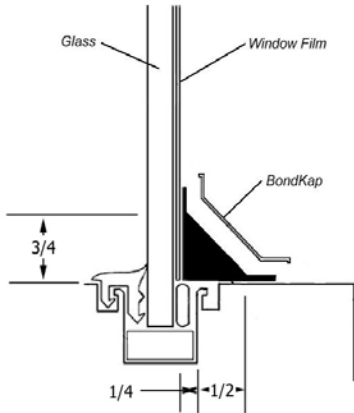
FilmFastener LLC

Featuring *BondKap™*

security film
anchoring system
patent pending

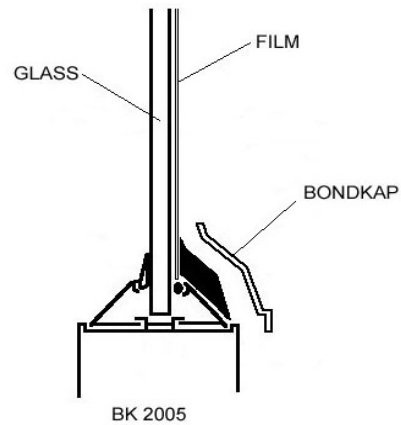
813.926.8721

Which BondKap™ to use for your COMMERCIAL application



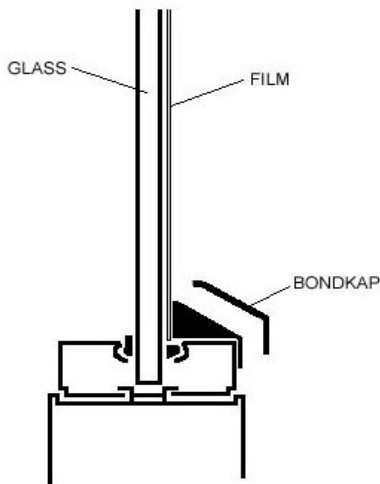
BK 2001

Commercial storefront
or an application where
the frame and glass are at 90°



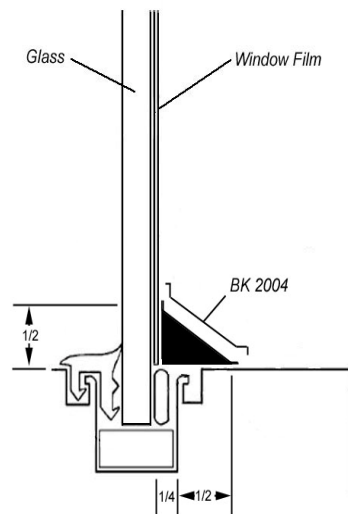
BK 2005

Commercial storefront door
with angled glass retention moldings like Kawneer



BK 2006

Commercial storefront door
with square glass retention moldings



BK 2004

Commercial storefront
or an application where the frame and glass are at 90°